

AC/DC Switching Adapter - Single Output

Medical AC/DC Power Adapter AD-A2 Class II Series

FEATURES

- Medical 60601-1 3rd Edition MOPP approved
- 2-prong IEC320-C8 AC inlet, Class II
- Meet DoE level VI Efficiency requirements
- 3 year warranty

ELECTRICAL SPECIFICATIONS

- Input range : 90 - 264VAC
- Frequency : 47 - 63Hz
- Inrush current : < 50A peak @115VAC; < 100A peak @230VAC cold start @25°C
- Input current (rms) : 2A @90VAC; 1A @264VAC max.
- Efficiency : > 88% @average load, 115/230VAC (Except +5V model)
- Maximum output power (Po) : 40Watts / 60Watts /65Watts
- Hold-up time : > 10ms typical @full load, 115VAC
- Short Circuit Protection: Auto-recovery
- Over Load Protection: Auto-recovery
- Over Voltage Protection: Shutdown and latch off, AC recycle
- Over Temperature Protection: Shutdown and latch off, AC recycle [Optional]

ENVIRONMENTAL

- Operating temperature : 0 to +60°C (Derate linearly 2.5% per °C from 41 to 60°C)
- Storage temperature : -10°C to +70°C
- Humidity: 0% ~ 90%.
- MTBF : > 100,000 hours at full load and 25°C ambient temperature

DC OUTPUT & FEATURES

| Model | Output Rating | | Po | O/P Regulation | Ripple & Noise(Vp-p) | Efficiency Level |
|-----------------|---------------|-------|-----|----------------|----------------------|------------------|
| PW-M040A-1Y050B | + 5V | 8A | 40W | ±5% | 50mV | V |
| PW-M060A-1Y120B | + 12V | 5A | 60W | ±5% | 120mV | VI |
| PW-M060A-1Y150B | + 15V | 4A | 60W | ±5% | 150mV | VI |
| PW-M065A-1Y190B | + 19V | 3.42A | 65W | ±3% | 190mV | VI |
| PW-M065A-1Y240B | + 24V | 2.7A | 65W | ±3% | 240mV | VI |
| PW-M065A-1Y280B | + 28V | 2.32A | 65W | ±3% | 280mV | VI |
| PW-M065A-1Y480B | + 48V | 1.35A | 65W | ±3% | 480mV | VI |

Note: 1. Ripple and noise are measured at oscilloscope 20MHz bandwidth by a 10uF electrolytic capacitor and a 0.1uF ceramic capacitor in parallel at output connector.



RoHS Compliant

Dimension : L106 x W60 x H31 mm (4.17" x 2.36" x 1.22")
Weight : 0.24 kgs. (0.55 lbs.)

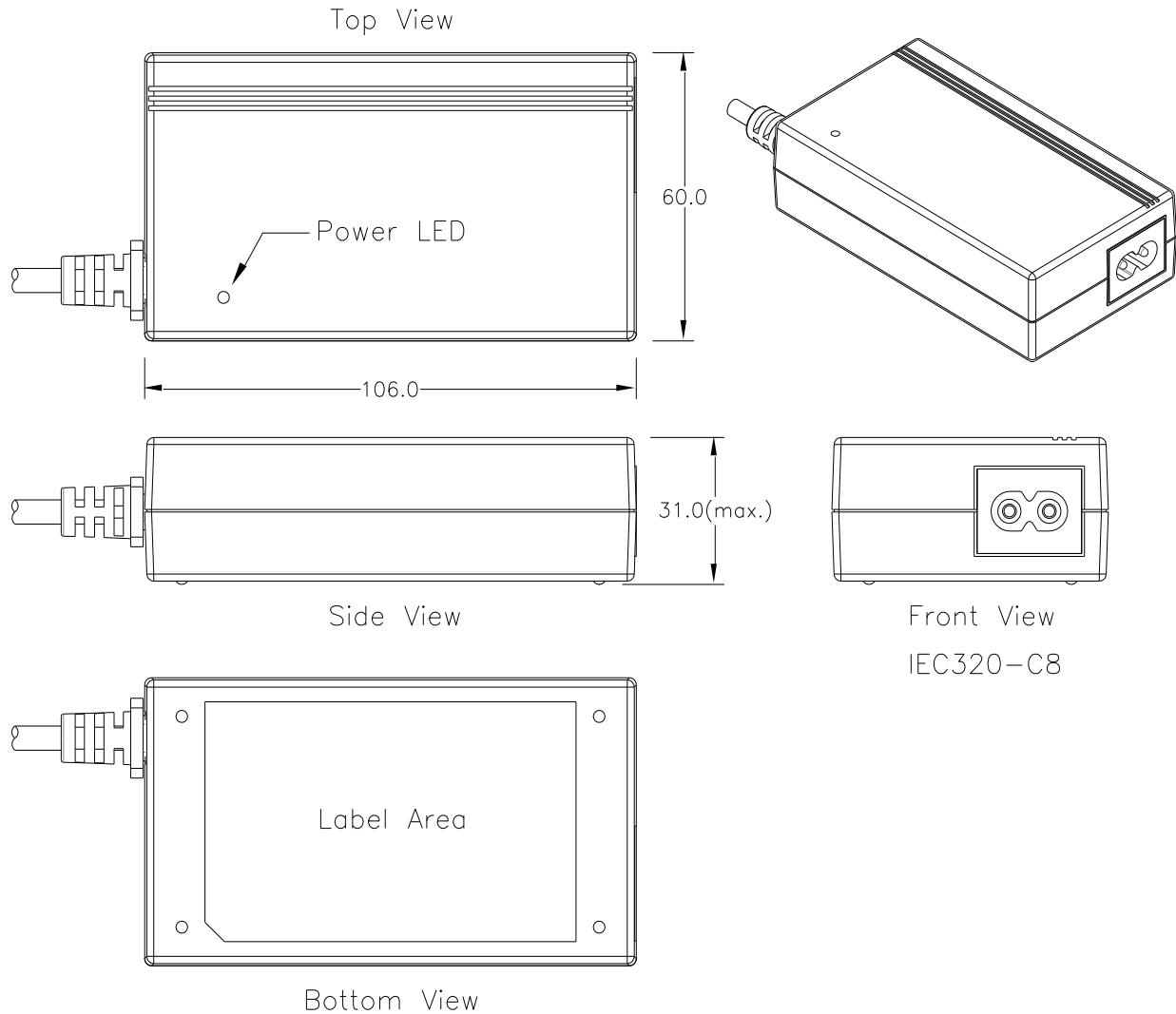
SAFETY STANDARDS

UL60601-1 3rd Edition
CSA-C22.2 No.60601-1 3rd Edition
EN60601-1 3rd Edition
IEC EN60601-1 3rd Edition

EMC STANDARDS

EN60601-1-2
FCC Part 18 Class B
EN55011 Class B
CE

MECHANICAL SPECIFICATION



- Note:
1. AC Inlet : IEC320-C8
 2. Plastic Case Color : Black
 3. Tolerance : $\pm 0.5\text{mm}$
 4. Unit : mm

STANDARD OUTPUT CABLE

1. AWM 1185 # 18 AWG / 1C + SHIELDING, UL 80°C 300V VW-1, 1000mm.
2. AWM 2464 # 18 / 20 AWG / 4C + SHIELDING, UL 80°C 300V VW-1, 1000mm.
3. Depends on customers requirements.