

Open Frame Type Switching Power Supply

**65W Medical & ITE Single Output
DOE level VI and EU tier 2 Efficiency Compliant**

FEATURES

- Both Medical 60601-1 3rd Edition MOPP and ITE approved
- Compact, High Power density, 40W/65W in 2" x 3" footprint
- Meet DOE level VI 88% & CoC V5 Tier 2 requirements.(Except +5V mode 86%)
- No load power consumption < 0.21W @230VAC (Except +5V mode ,< 0.1W @230VAC max)
- Ultra low Earth leakage current < 189uA @264VAC
- 2 year warranty



ELECTRICAL SPECIFICATIONS

- Input range : 90 - 264VAC
- Frequency : 47 - 63Hz
- Inrush current : < 65A peak @115VAC; < 130A peak @230VAC cold start @25°C
- Input current (rms) : 1A @115VAC; .0.6A @230VAC max.
- Efficiency : > 87% typical @full load, 115VAC(Except +5V mode ,85% typical @full load)
- Maximum output power (Po) : 65 Watts convection cooling((Except +5V mode ,40 Watts)
- Hold-up time : > 10ms typical @ load 75% , 115VAC
- Short circuit protection : Auto-recovery
- Over load protection : 110% to 170% maximum rating, Auto-recovery
- Over voltage protection : Shutdown and latch off, AC recycle

RoHS compliant

Dimension : L76.2 x W50.8 x H28.7 mm (3" x 2" x 1.13")
Weight : 0.12 kgs. (0.26 lbs.)

ENVIRONMENTAL

- Operating temperature : -20 to +70°C (Derate linearly 2.5% per °C from 41 to 70°C)
- Storage temperature: -20°C to +85°C
- Humidity: Non-condensing 0% to 90%
- MTBF : > 100,000 hours @full load and 25°C ambient temperature

SAFETY STANDARDS

Medical

60601-1 3rd Edition
CSA-C22.2 No.60601-1 3rd Edition
EN60601-1 3rd Edition
IEC 60601-1 3rd Edition

EMC STANDARDS

EN60601-1-2
FCC Part 18 Class B
EN 55011 Class B
CE

ITE

UL UL60950-1
CSA-C22.2 NO.950-1
EN60950-1
CB IEC60950-1

EN55022 Class B
CISPR22 Class B
FCC Part 15 Class B
CE

DC OUTPUT & FEATURES

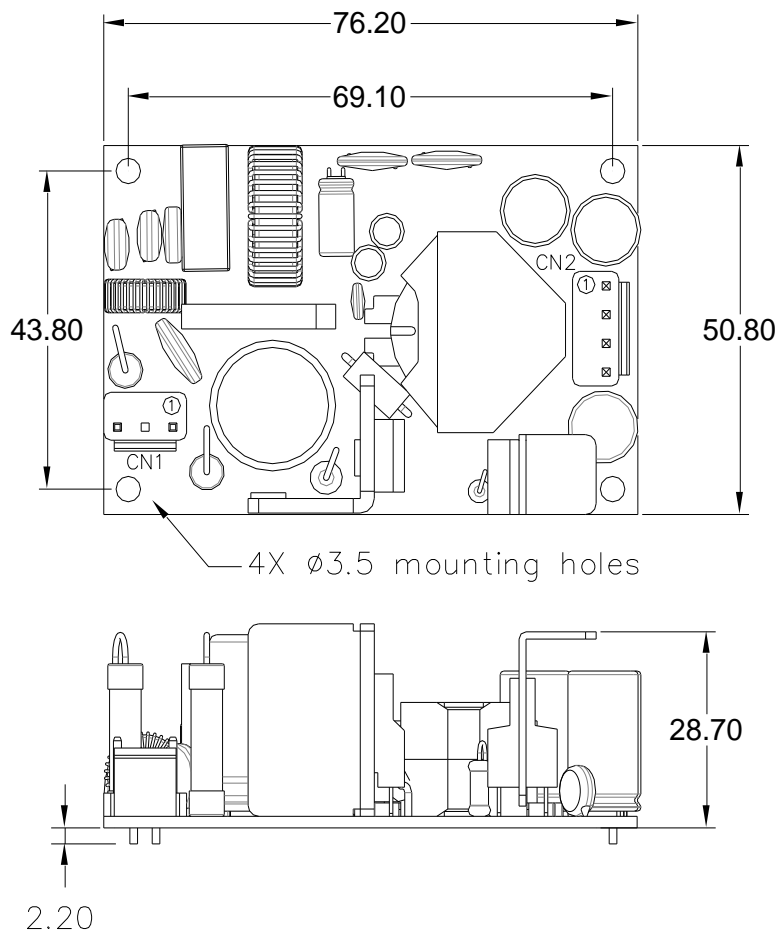
✳ Other DC output 40W for 5V, 65W for 12-56.9V.

Model No.	Output Voltage	Minimum Load	Maximum Load Convection	Po	O/P Regulation	Ripple & Noise (Vp-p)	Efficiency Level
PW-IM040B-1Y050	+5V	0A	8A	40W	±3%	150mV	VI
PW-IM065B-1Y120	+12V	0A	5.416A	65W	±3%	240mV	VI
PW-IM065B-1Y150	+15V	0A	4.333A	65W	±3%	300mV	VI
PW-IM065B-1Y190	+19V	0A	3.421A	65W	±3%	300mV	VI
PW-IM065B-1Y200	+20V	0A	3.25A	65W	±3%	300mV	VI
PW-IM065B-1Y240	+24V	0A	2.708A	65W	±3%	300mV	VI
PW-IM065B-1Y280	+28V	0A	2.321A	65W	±3%	300mV	VI
PW-IM065B-1Y480	+48V	0A	1.354A	65W	±3%	300mV	VI
PW-IM065B-1Y560	+56V	0A	1.161A	65W	±3%	300mV	VI

Note:

1. At 25°C including initial tolerance, line voltage, load currents and output voltages adjusted to factory settings.
2. Ripple and noise are measured at oscilloscope 20MHz bandwidth by a 100uF electrolytic capacitor and a 0.1uF ceramic capacitor in parallel at output connector.
3. DC OUTPUT & FEATURES Operating temperature is 0 to +40°C.
4. -20 to 0°C output characteristics Output regulation are ±10%.

MECHANICAL SPECIFICATION



MATCHING CONNECTORS

CN1: Input Connector

JST B3P-VH-B pitch: 7.92mm or equivalent, mates with JST VHR-3N or equivalent

Pin #	Signal
1	AC Line
2	AC Neutral

CN2: Output Connector

JST B4P-VH-B pitch: 3.96mm or equivalent, mates with JST VHR-4N or equivalent

Pin #	Signal
1	-Vo
2	-Vo
3	+Vo
4	+Vo