

### FEATURES

- 3-pole IEC320-C6 Class I and C8 Class II AC inlet available
- Black color plastic enclosed case
- 2 year warranty

### ELECTRICAL SPECIFICATIONS

- Input range : 90-264VAC
- Frequency : 47-63Hz
- Inrush current : < 30A peak @115VAC; < 60A peak @230VAC cold start @25°C
- Input current (rms) : 2A @90VAC; 1A @264VAC max.
- Efficiency : > 70% @full load, 115VAC
- Maximum output power (Po) : 27Watts
- Hold-up time : > 10ms typical @full load, 115VAC
- Short Circuit Protection: Auto-recovery
- Over Load Protection: Auto-recovery
- Over Voltage Protection: Auto-recovery

### ENVIRONMENTAL

- Operating temperature : 0 to +60°C (Derate linearly 2.5% per °C from 41 to 60°C)
- Storage temperature : -10°C to +70°C
- Humidity: 20% ~ 90%.
- MTBF : >80,000 hours at full load and 25°C ambient temperature



### RoHS Compliant

Dimension : L106 x W60 x H30 mm ( 4.17" x 2.36" x 1.18"  
Weight : 0.24 kgs. ( 0.53 lbs )

### SAFETY STANDARDS

UL 60950-1  
CSA C22.2-No.60950-1  
TUV EN60950-1  
CB IEC 60950-1

### EMC STANDARDS

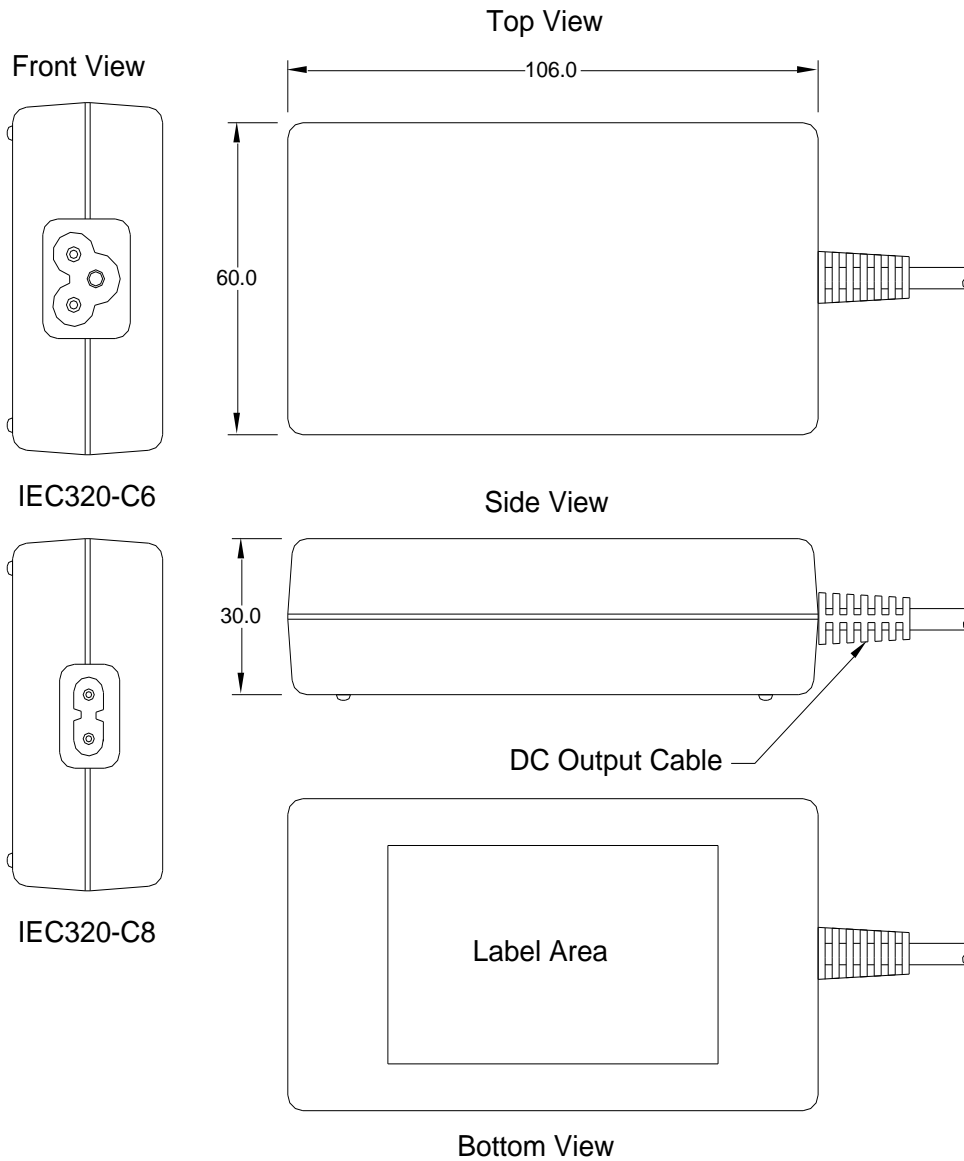
FCC Class B  
CISPR22 Class B  
EN 55022 Class B  
CE

### DC OUTPUT & FEATURES

Model	Output Rating			Po	O/P Regulation	Ripple & Noise(Vp-p)
	Vo	Io (min.)	Io (max.)			
PW-027A-2YB0	+5V	0.5A	2A~5A	27W	±3%	50mV
PW-027A-2YB1	+12V	0.1A	0.2A~1.5A		±5%	120mV

- Note:**
1. Ripple and noise are measured at oscilloscope 20MHz bandwidth by a 10uF electrolytic capacitor and a 0.1uF ceramic capacitor in parallel at output connector.
  2. Z = 0, AC INLET : IEC 320-C8 (2PIN), Z = 1, AC Inlet : IEC 320-C6 (3PIN)

## MECHANICAL SPECIFICATION



- Note:
1. AC Inlet : IEC320-C6 or IEC320-C8
  2. Plastic Case Color : Black
  3. Tolerance :  $\pm 0.5\text{mm}$
  4. Unit : mm

## STANDARD OUTPUT CABLE

1. AWM 2464 # 20 AWG / 4C + SHIELDING, UL 80°C 300V VW-1, 1050 mm.
2. Depends on customers requirements.