

FEATURES

- Designed for DVR and DVD/HDD duplicator application especially
- 100% Burn-in and Hi-pot tested
- 2 year warranty

ELECTRICAL SPECIFICATIONS

- Input range : 90 - 264VAC
- Frequency : 47 - 63Hz
- Power Factor : > 0.95 @115VAC; > 0.90 @230VAC @full load
- Inrush current : < 40A peak @115VAC; < 80A peak @230VAC cold start @25°C
- Input current (rms) : 2.0A @115VAC; 1.0A @230VAC max.
- Efficiency : > 80% typical @full load, 115VAC
- Maximum output power (Po) : 120Watts / 100Watts convection cooling
- Hold-up time : > 16ms typical @full load, 115VAC
- Short circuit protection : +12V Auto-recovery, +5V Shutdown
- Over load protection : 110% to 160% maximum rating, Auto-recovery
- Over temperature protection: Automatic shutdown
(The temperature sensing point is located at C1, OTP threshold is 88±4°C typical.)



RoHS compliant

Dimension : L150 x W55 x H35 mm (5.9" x 2.17" x 1.38")

Weight : 0.3 kgs. (0.66 lbs.)

SAFETY STANDARDS

UL UL60950-1
 CSA 22.2-No.60950-1
 Nemko EN60950-1
 CB IEC60950-1

EMC STANDARDS

FCC Class B Part 15
 CISPR22 Class B
 EN 55022 Class B
 CE

ENVIRONMENTAL

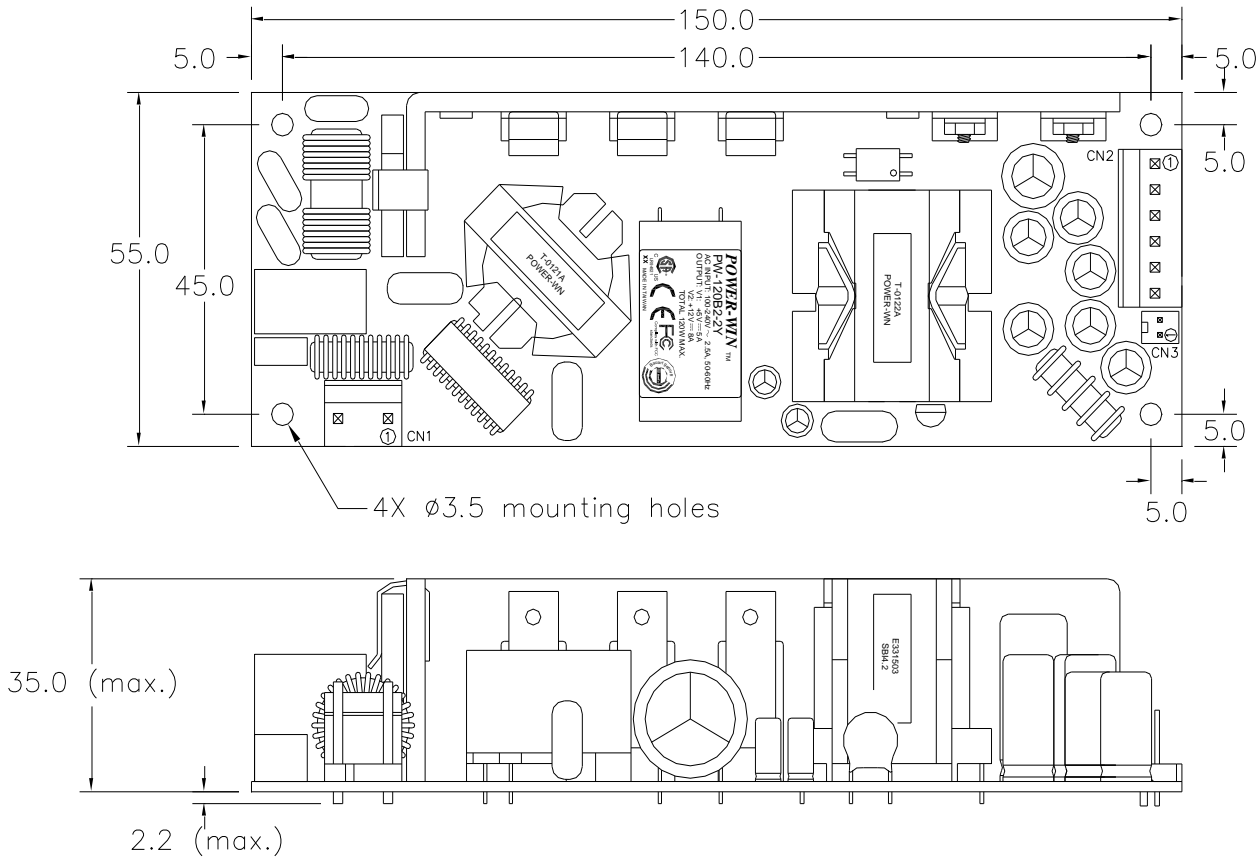
- Operating temperature : 0 to +60°C (Derate linearly 2.5% per °C from 41 to 60°C)
- Storage temperature: -40°C to +85°C
- Humidity: Non-condensing 5% to 95%
- MTBF : > 100,000 hours @full load and 25°C ambient temperature

DC OUTPUT & FEATURES

Model No.	Output Voltage		Minimum Load	Maximum Load	O/P Regulation	Po	Ripple & Noise(Vp-p)
PW-120B2-2Y	+V1	+12V	0A	8A	±5%	120W	120mV
	+V2	+5V	0A	5A	±5%		50mV
PW-100B2-2Y	+V1	+12V	0A	7A	±5%	100W	120mV
	+V2	+5V	0A	4A	±5%		50mV

Note: 1. At 25°C including initial tolerance, line voltage, load currents and output voltages adjusted to factory settings.
 2. Ripple and noise are measured at oscilloscope 20MHz bandwidth by a 10uF electrolytic capacitor and a 0.1uF ceramic capacitor in parallel at output connector.

MECHANICAL SPECIFICATION



MATCHING CONNECTORS

CN1: Input Connector

molex 09-65-2039 pitch: 7.92mm or equivalent, mates with female housing molex 09-52-4034 or equivalent

Pin #	Signal
1	AC Neutral
2	AC Line

CN3: DC Fan Connector

molex 22-27-2021 pitch: 2.54mm or equivalent, mates with female housing molex 22-01-2025 or equivalent

Pin #	Signal
1	+V1
2	GND

CN2: Output Connector

molex 09-65-2069 pitch: 3.96mm or equivalent, mates with female housing molex 09-52-4064 or equivalent

Pin #	Signal
1	+V1
2	+V1
3	GND
4	GND
5	+V2
6	+V2