

FEATURES

- High Power density, 40W in 1.5" x 3" footprint
- Meet Efficiency Level V
- Energy Consumption Criteria for No-Load under 100mW
- 2 year warranty



ELECTRICAL SPECIFICATIONS

- Input range : 90 - 264VAC
- Inrush current : < 40A peak @115VAC; < 80A peak @230VAC cold start @25°C
- Input current (rms) : 1A @115VAC; 0.5A @230VAC max.
- Efficiency : > 85% typical @full load, 115VAC (PW-025B-1Y05S: 80%)
- Maximum output power (Po) : 40 Watts convection cooling
- Hold-up time : > 6ms typical @full load, 115VAC
- Short circuit protection : Auto-recovery
- Over load protection : 180% maximum rating, Auto-recovery
- Over voltage protection : Output 110% to 130% rated output voltage

ENVIRONMENTAL

- Operating temperature : 0 to +70°C (Derate linearly 2.5% per °C from 51 to 70°C)
- Storage temperature: -40°C to +85°C
- Humidity: Non-condensing 5% to 95%
- MTBF : > 150,000 hours @full load and 25°C ambient temperature

RoHS compliant

Dimension : L76.2 x W38.1 x H23.5 mm (3" x 1.5" x 0.93")
Weight : 0.074 kgs. (0.164 lbs.)

Safety standards

UL 60950-1
CSA C22.2 No.60950-1
Nemko EN60950-1
CB IEC 60950-1

EMI standards

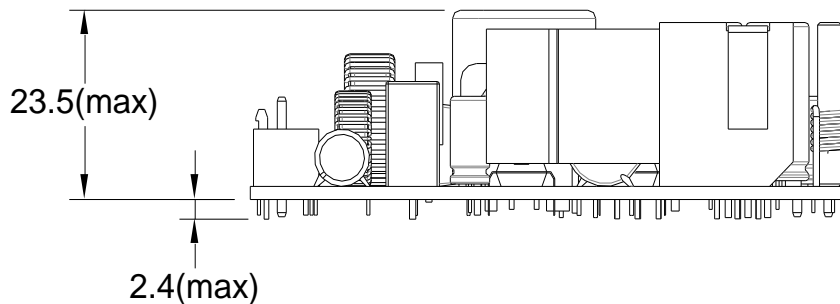
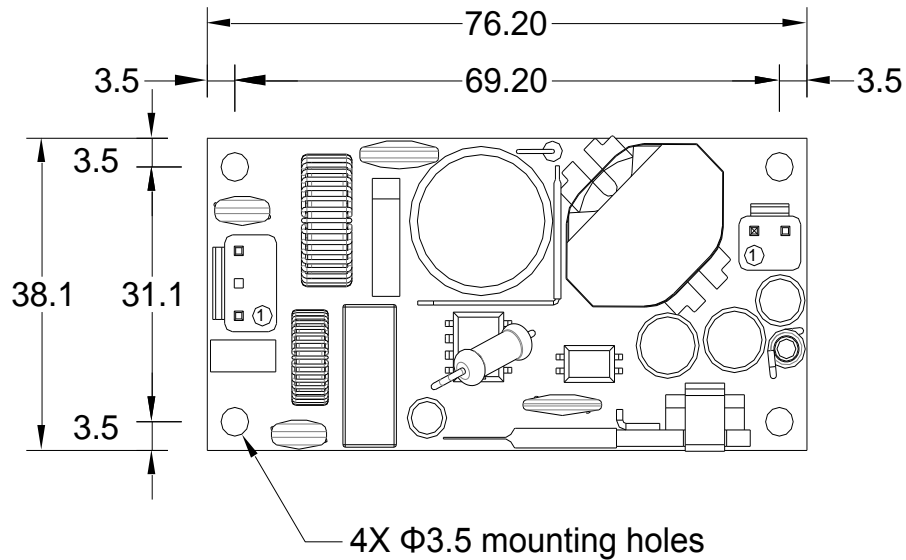
FCC Class B
CISPR 22 Class B
EN 55022 Class B
EN 55024
CE

DC OUTPUT & FEATURES

Model No.	Output Voltage	Minimum Load	Maximum Load with Convection Cooling	Po	Peak Load Convection (60sec.)	O/P Regulation	Ripple & Noise(Vp-p)	LPS
PW-025B-1Y05S	+5V	0A	5.00A	25W	7.00A (35W)	±5%	100mV	X
PW-040B-1Y12S	+12V	0A	3.34A	40W	4.17A (50W)	±5%	120mV	●
PW-040B-1Y15S	+15V	0A	2.67A	40W	3.34A (50W)	±5%	150mV	●
PW-040B-1Y18S	+18V	0A	2.23A	40W	2.78A (50W)	±5%	180mV	●
PW-040B-1Y24S	+24V	0A	1.67A	40W	2.09A (50W)	±5%	240mV	●
PW-040B-1Y36S	+36V	0A	1.12A	40W	1.39A (50W)	±5%	240mV	●
PW-040B-1Y48S	+48V	0A	0.84A	40W	1.05A (50W)	±5%	240mV	●

- Note:**
1. At 25°C including initial tolerance, line voltage, load currents and output voltages adjusted to factory settings.
 2. Ripple and noise are measured at oscilloscope 20MHz bandwidth by a 10uF electrolytic capacitor and a 0.1uF ceramic capacitor in parallel at output connector.

MECHANICAL SPECIFICATION



MATCHING CONNECTORS

CN1: Input Connector

JST B3P-VH-B pitch: 7.92mm or equivalent, mates with JST VHR-3N or equivalent

Pin #	Signal
1	AC Line
2	AC Neutral

CN2: Output Connector

JST B2P-VH-B pitch: 3.96mm or equivalent, mates with JST VHR-2N or equivalent

Pin #	Signal
1	GND
2	+Vo