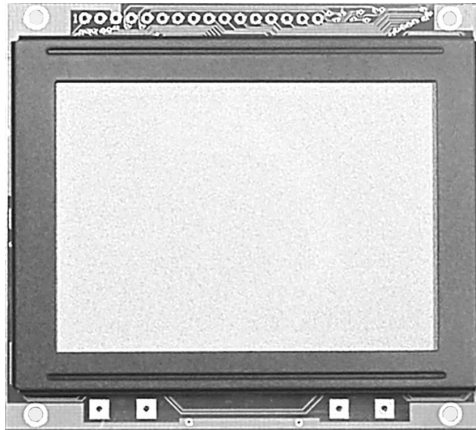


JM 12864 B

LCD- Standard Grafikmodul



Hauptmerkmale

- 128 x 64 dots
- Einstellbarer Kontrast
- STN- Technologie
- mit Toshiba Controller und Zeichensatz

Optionen

- LED / EL- Beleuchtung
- Erhöhter Temp. Bereich
- Farbige Reflektoren
- TN-FSTN Technologie

PIN Belegung

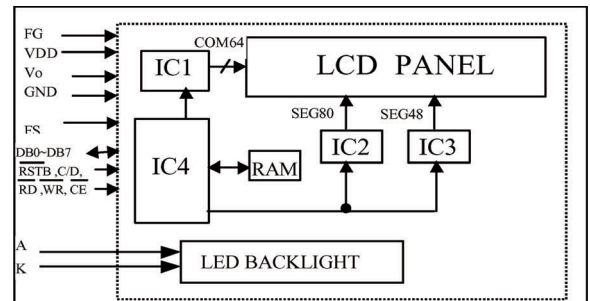
PIN	SYMBOL	SIGNAL DESCRIPTION
1	FG	Frame GND
2	Vss	GND
3	Vdd	Power Supply
4	V0	Power Supply for LCD
5	WR	Write when "L"
6	RD	Read when "L"
7	CE	Enable when "L"

PIN	SYMBOL	SIGNAL DESCRIPTION
8	C/D	Register Select (L=Data, H=Instruction)
9	RSTB	Reset Signal when "L"
10 to 17	DB0 to DB7	Data Bus for 8bit Mode
18	FS	Select character style 6x8 or 8x8
19	A	Anode of LED Unit
20	K	Cathode of LED Unit

Spezifikationen (Ta=25°C)

ITEM	SYMBOL	CONDITION	MIN.	TYP.	MAX.	UNIT
Supply Voltage (logic)	Vdd-GND	-	4.5	5.0	5.5	V
Supply Current (logic)	Idd	Vdd=5.0	-	4	-	mA
Driving Current (LCD)	Iee	Vee=12.8	-	2.8	-	mA
Driving Voltage (LCD)	Vdd-V5	25°	-	12.8	-	V
Input Voltage .. H ..	Vih	H	0.7Vdd	-	Vdd	V
Input Voltage .. L ..	Vil	L	GND	-	0.3Vdd	V
Option LED	I	ext. Resistor	50	200	850	mA
Ambient temp.	t		0	-	55	°C

Block Diagramm



Mechanische Abmessungen

