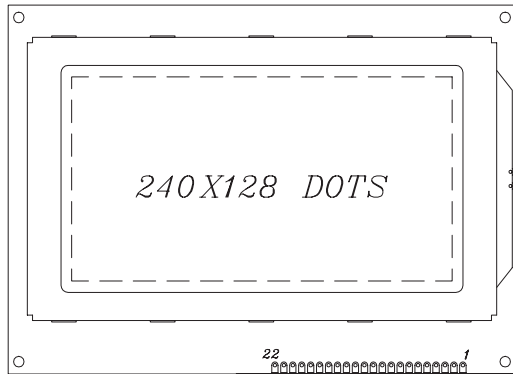


### JM 240128 D

### LCD- Standard Grafikmodul



#### Hauptmerkmale

- 240 x 128 dots
- Einstellbarer Kontrast
- STN-Technologie

#### Optionen

- LED / EL- Beleuchtung
- Erhöhter Temp. Bereich
- Farbige Reflektoren
- TN-FSTN-Technologie

Kontroller: T6963C

#### PIN Belegung

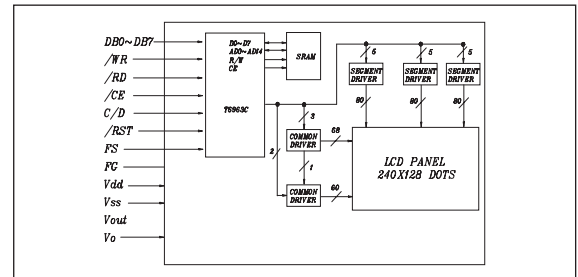
PIN	SYMBOL	SIGNAL DESCRIPTION
1	FG	Modul Frame Ground
2	Vss	Power Supply for Logic (GND)
3	Vdd	Power Supply for Logic (+5V)
4	V0	Power Supply for LCD
5	WR	Data Write
6	RD	Data Read
7	CE	Chip Enable
8	C/D	Command/Data Select

PIN	SYMBOL	SIGNAL DESCRIPTION
9	NC	No connection
10	RST	Reset Signal
11-18	DB0-DB7	Data Bus Line
19	FS	Font Selection
20	Vout	DC/DC voltage converter
21	A	Anode of LED Backlight
22	K	Cathode of LED Backlight

#### Spezifikationen (TA=25 °C)

ITEM	SYMBOL	CONDITION	MIN.	TYP.	MAX.	UNIT
Supply Voltage (Logic)	Vdd-Vss	-	4.5	5.0	5.5	V
Supply Current (Logic)	Idd	Vdd=5.0V	-	9.5	-	mA
Driving Current for LCD	Iee	Vee=-14V	-	4.6	-	mA
Driving Voltage for LCD	Vdd-Vee	-	-	19	-	V
Input Voltage "H"	V <sub>IH</sub>	"H" level	Vdd-2.2	-	Vdd	V
Input Voltage "L"	V <sub>IL</sub>	"L" level	Vss	-	0.8	V

#### Block Diagramm



#### Mechanische Abmessung

