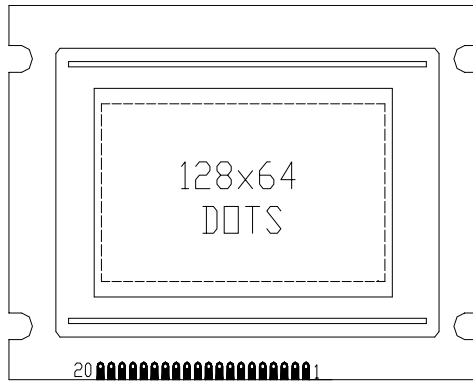


### JM 12864 F

### LCD- Standard Grafikmodul



#### Hauptmerkmale

- 128 x 64 dots
- Einstellbarer Kontrast
- STN-Technologie

#### Optionen

- LED / EL- Beleuchtung
- Erhöhter Temp. Bereich
- Farbige Reflektoren
- TN-FSTN-Technologie

Kontroller: KS0107B

#### PIN Belegung

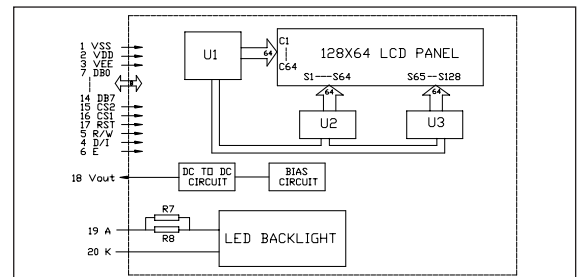
PIN	SYMBOL	SIGNAL DESCRIPTION
1	Vss	Power Supply for Logic (GND)
2	Vdd	Power Supply for Logic (+5V)
3	Vee	Contrast Adjust
4	D/I	Register Select (H:Data L:Instruction)
5	R/W	Read/Write (L=MPU to LCM, H=LCM to MPU)
6	E	Enable
7-14	DB0-DB7	Data Bus Line

PIN	SYMBOL	SIGNAL DESCRIPTION
15	CS2	Chip Select Signal for IC2 when "H"
16	CS1	Chip Select Signal for IC3 when "H"
17	RST	Chip Reset Signal
18	Vout	Negative Voltage Output
19	A	Anode of LED Backlight
20	K	Cathode of LED Backlight

#### Spezifikationen (TA=25 °C)

ITEM	SYMBOL	CONDITION	MIN.	TYP.	MAX.	UNIT
Supply Voltage (Logic)	Vdd-Vss	-	4.5	5.0	5.5	V
Supply Current (Logic)	Idd	Vdd=5.0V	-	4.0	-	mA
Driving Current for LCD	Iee	Vee = -7.8V	-	2.8	-	mA
Driving Voltage for LCD	Vdd-Vee	-	-	12.8	-	V
Input Voltage "H"	V <sub>IH</sub>	"H" level	0.7Vdd	-	Vdd	V
Input Voltage "L"	V <sub>IL</sub>	"L" level	Vss	-	0.8	V

#### Block Diagramm



#### Mechanische Abmessung

