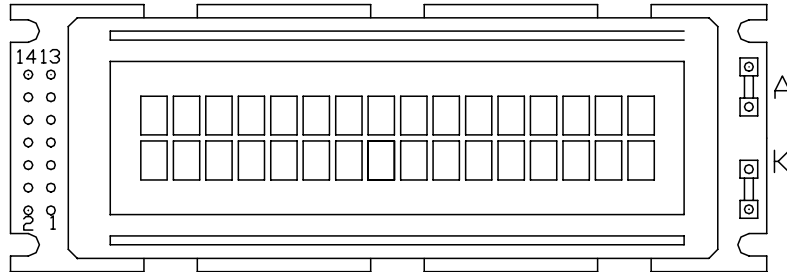


JM 162 J

LCD- Standard Charaktermodul



Hauptmerkmale

- 16 Charakter / 2 Zeilen
- Ziffernhöhe 4.35 mm
- Single Supply +5 Volt
- STN-Technologie
- Einstellbarer Kontrast
- Option LED / EL-Beleuchtung

Kontroller: KS0070B

PIN Belegung

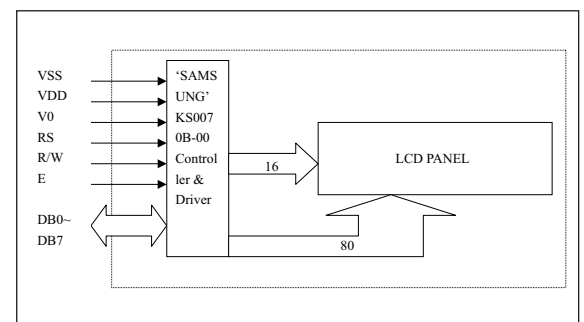
PIN	SYMBOL	SIGNAL DESCRIPTION
1	Vss	Power Supply (GND)
2	Vdd	Power Supply (+5V)
3	V0	Contrast Adjust
4	RS	Register Select (H=Data, L=Instruction)

PIN	SYMBOL	SIGNAL DESCRIPTION
5	R/W	Read/Write (L=MPU to LCM, H=LCM to MPU)
6	E	Enable
7-14	DB0-DB7	Data Bus Line

Spezifikationen (TA=25 °C)

ITEM	SYMBOL	CONDITION	MIN.	TYP.	MAX.	UNIT
Supply Voltage (Logic)	Vdd-Vss	-	4.8	5.0	5.2	V
Supply Current (Logic)	Idd	Vdd=5V	-	1.2	1.8	mA
Supply Voltage (LCD)	Vdd-V0	Vdd=5V	4.2	4.5	4.8	V
Input Voltage "H"	V _{IH}	"H" level	2.2	-	Vdd	V
Input Voltage "L"	V _{IL}	"L" level	-0.3	-	0.6	V

Block Diagramm



Mechanische Abmessung

