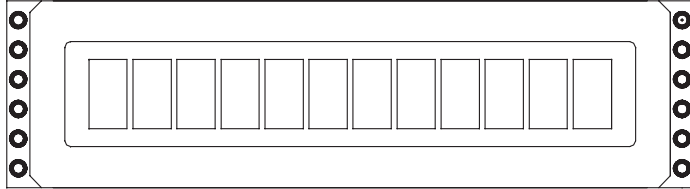


JM 121 A

LCD- Standard Charaktermodul



Hauptmerkmale

- 12 Charakter / 1 Zeile
- Ziffernhöhe 5.93 mm
- Single Supply +5 Volt
- STN-Technologie
- Einstellbarer Kontrast
- Option LED / EL-Beleuchtung

Kontroller: KS0066U

PIN Belegung

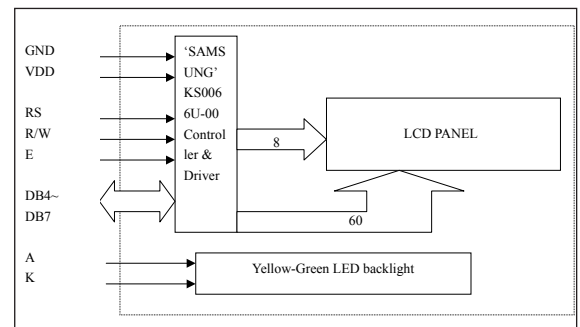
PIN	SYMBOL	SIGNAL DESCRIPTION
1	Vss	Power Supply (GND)
2	Vdd	Power Supply (+5V)
3	Vo	Contrast Adjust
4	RS	Register Select (H=Data, L=Instruction)
5	R/W	Read/Write (H: Read mode, L: Write mode)

PIN	SYMBOL	SIGNAL DESCRIPTION
6	E	Enable Signal
7-10	DB4-DB7	Data Bus Line
11	A	Anode of LED unit
12	K	Cathode of LED unit

Spezifikationen (TA=25 °C)

ITEM	SYMBOL	CONDITION	MIN.	TYP.	MAX.	UNIT
Supply Voltage (Logic)	Vdd-Vss	-	4.8	5.0	5.2	V
Supply Current (Logic)	Idd	Vdd=5V	-	1.4	2.1	mA
Supply Voltage (LCD)	Vdd-V0	Vdd=5V	4.4	4.6	4.8	V
Input Voltage "H"	V _{IH}	"H" level	2.2	-	Vdd	V
Input Voltage "L"	V _{IL}	"L" level	-0.3	-	0.6	V
Supply voltage (Backlight)	V _{LED}	I _F =40mA	3.9	4.1	4.4	V

Block Diagramm



Mechanische Abmessung

