

Open Frame Type Switching Power Supply

**250Watts ITE
Single Output**

FEATURES

- High Power density, 250W in 3" x 5" footprint
- Ultra low leakage current < 300uA @ 264VAC
- 2 year warranty

ELECTRICAL SPECIFICATIONS

- Input range : 90 - 264VAC
- Frequency : 47 - 63Hz
- Power Factor : > 0.95 @ 115VAC; > 0.90 @ 230VAC @full load
- Inrush current : < 50A peak @ 115VAC; < 100A peak @ 230VAC cold start @ 25°C
- Input current (rms) : 4A @ 115VAC; 2A @ 230VAC max.
- Efficiency : > 85% typical @full load, 115VAC
- Maximum output power (Po) : 250 Watts with 17.1CFM forced air cooling
- Hold-up time : > 10ms typical @full load, 115VAC
- Short circuit protection : Auto-recovery
- Over load protection : 105% to 160% maximum rating, Auto-recovery
- Over voltage protection : shutdown and latch off, A manual AC reset is necessary.

ENVIRONMENTAL

- Operating temperature : 0 to +70°C (Derate linearly 2.5% per °C from 41 to 70°C)
- Storage temperature: -40°C to +85°C
- Humidity: Non-condensing 5% to 95%
- MTBF : > 100,000 hours @full load and 25°C ambient temperature



RoHS compliant

Dimension : L127 x W76.2 x H32.5 mm (5" x 3" x 1.28")
Weight : 0.4 kgs. (0.88 lbs.)

SAFETY STANDARDS

UL/c- UL UL60950-1,2nd Edition FCC Class B

CSA 22.2-No.60950-1-07

NEMKO EN60950-1:2006+A11

EMC STANDARDS

CISPR22 Class B

EN 55022 Class B

CE

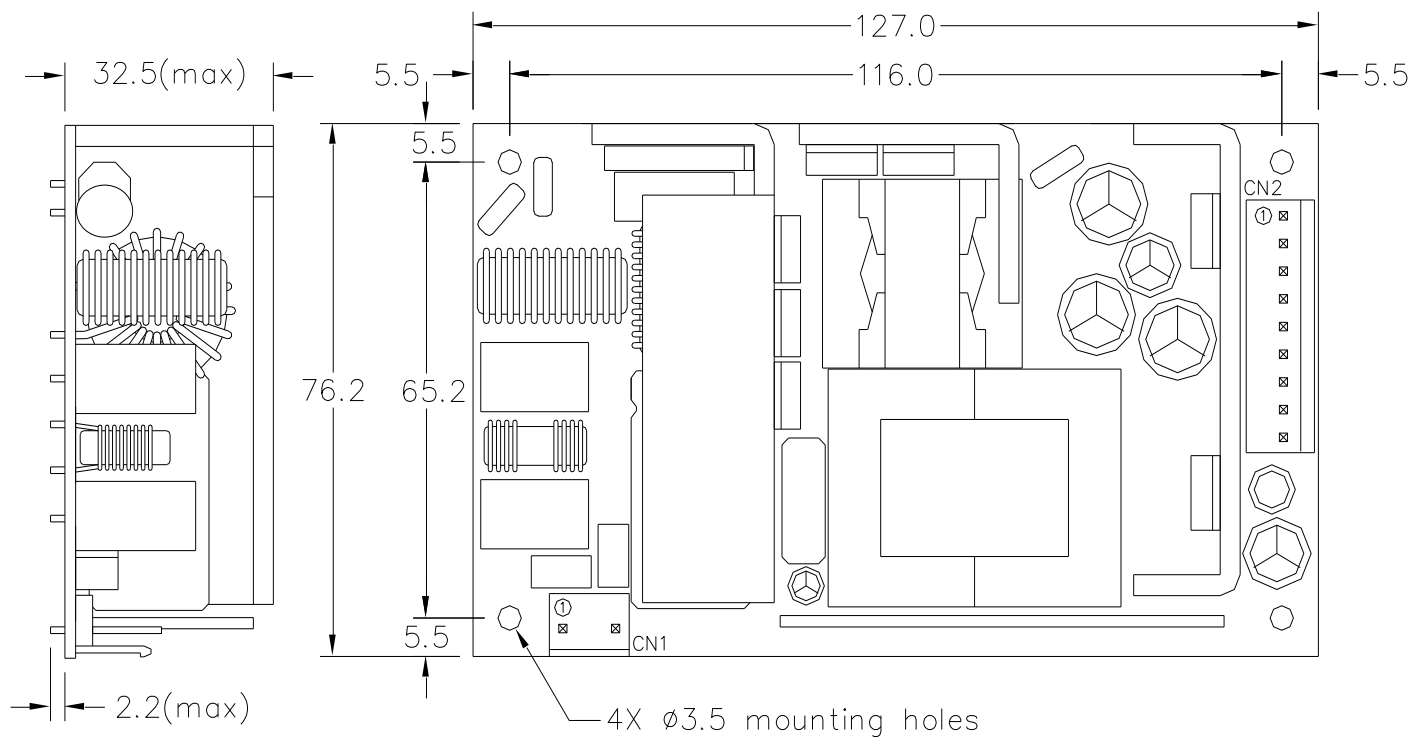
DC OUTPUT & FEATURES

Model No.	Output Voltage	Minimum Load	Maximum Load		Po	Output Regulation	Ripple & Noise (Vp-p)
			Convection	17.1 CFM Forced Air			
PW-250B-1Y120P	+12V	0A	16.67A	20.84A	250W	±5%	120mV
PW-250B-1Y190P	+19V	0A	10.53A	13.16A	250W	±5%	190mV
PW-250B-1Y240P	+24V	0A	8.34A	10.42A	250W	±5%	240mV
PW-250B-1Y300P	+30V	0A	6.67A	8.34A	250W	±5%	300mV
PW-250B-1Y360P	+36V	0A	5.56A	6.95A	250W	±5%	360mV
PW-250B-1Y400P	+40V	0A	5.00A	6.25A	250W	±5%	400mV
PW-250B-1Y480P	+48V	0A	4.17A	5.21A	250W	±5%	480mV

Note:

1. At 25°C including initial tolerance, line voltage, load currents and output voltages adjusted to factory settings.
2. Ripple and noise are measured at oscilloscope 20MHz bandwidth by a 47uF electrolytic capacitor and a 0.1uF ceramic capacitor in parallel at output connector.

MECHANICAL SPECIFICATION



MATCHING CONNECTORS

CN1: Input Connector

JST B3P-VH-B pitch: 3.96mm or equivalent, mates with JST VHR-3N or equivalent

Pin #	Signal
1	AC Line
2	AC Neutral

CN2: Output Connector

JST B9P-VH-B pitch: 3.96mm or equivalent, mates with JST VHR-9N or equivalent

Pin #	Signal
1	RTN
2	RTN
3	RTN
4	RTN
5	+Vo
6	+Vo
7	+Vo
8	+Vo
9	+Vo