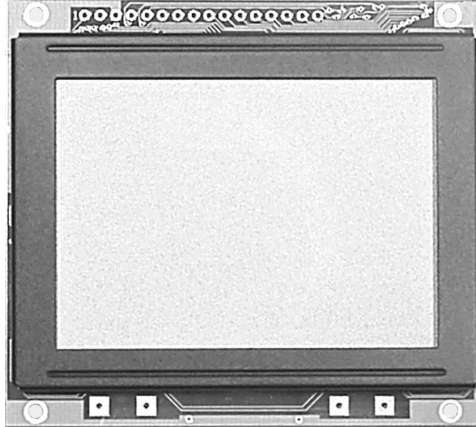


## JM 12864 A

## LCD- Standard Grafikmodul



### Hauptmerkmale

- 128 x 64 dots
- Einstellbarer Kontrast
- STN- Technologie

### Optionen

- LED / EL- Beleuchtung
- Erhöhter Temp. Bereich
- Farbige Reflektoren
- TN-FSTN Technologie

### PIN Belegung

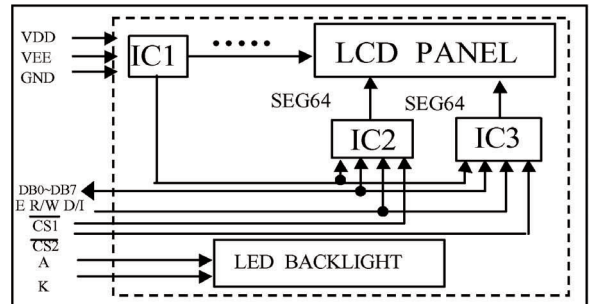
PIN	SYMBOL	SIGNAL DESCRIPTION
1	CS1	Chip Select for IC1 when L
2	CS2	Chip Select for IC2 when L
3	GND	GND
4	Vdd	Power Supply
5	vee...	Power Supply for LCD

PIN	SYMBOL	SIGNAL DESCRIPTION
6	D/I	Register Select (H=Data, L=Instruction)
7	R/W	Read/Write L=MPU to LCM, H=LCM to MPU
8	E	Enable
9 to 16	DB0 to DB7	Data Bus for 8bits Mode

### Spezifikationen ( Ta=25°C )

ITEM	SYMBOL	CONDITION	MIN.	TYP.	MAX.	UNIT
Supply Voltage (logic)	Vdd-GND	-	4.5	5.0	5.5	V
Supply Current (logic)	Idd	Vdd=5.0	-	4	-	mA
Driving Current (LCD)	Iee	Vee=12.8	-	2.8	-	mA
Driving Voltage (LCD)	Vdd-V5	25..	-	12.8	-	V
Input Voltage .. H ..	Vih	H	0.7Vdd	-	Vdd	V
Input Voltage .. L ..	Vil	L	GND	-	0.3Vdd	V
Option LED	I	ext. Resistor	50	200	850	mA
Ambient temp.	t		0	-	55	°C

### Block Diagramm



### Mechanische Abmessungen

